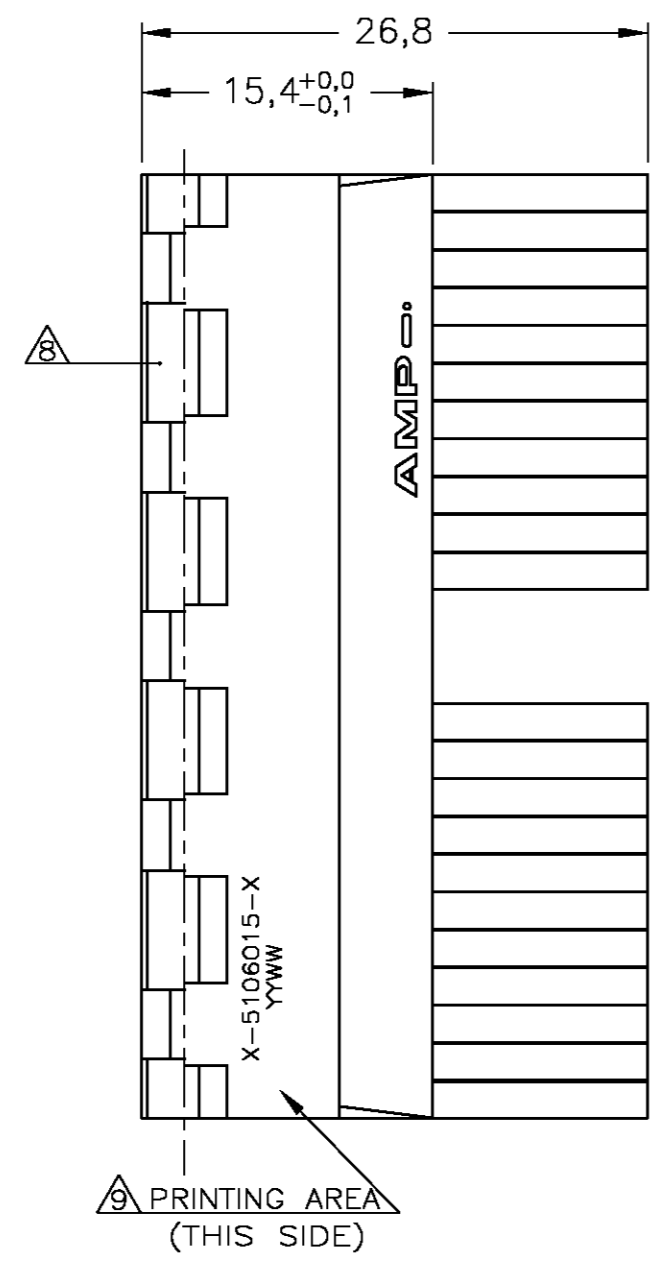
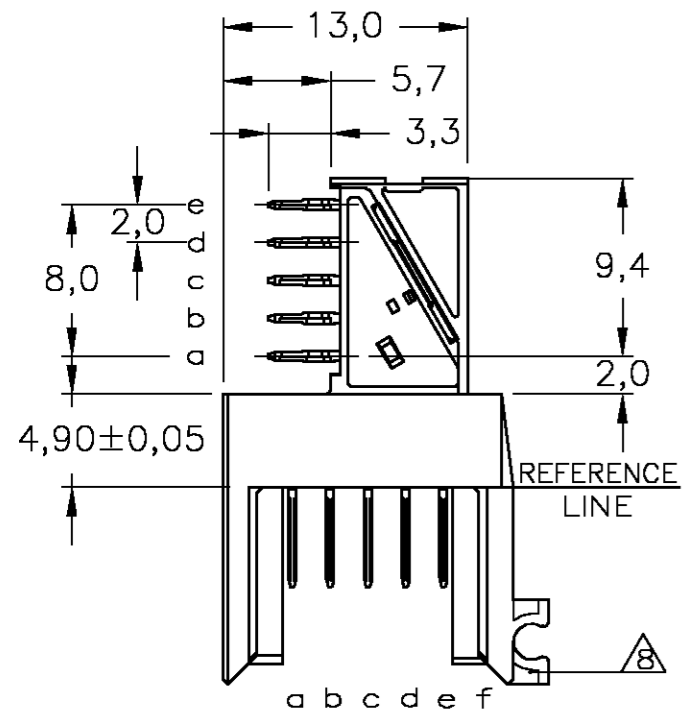
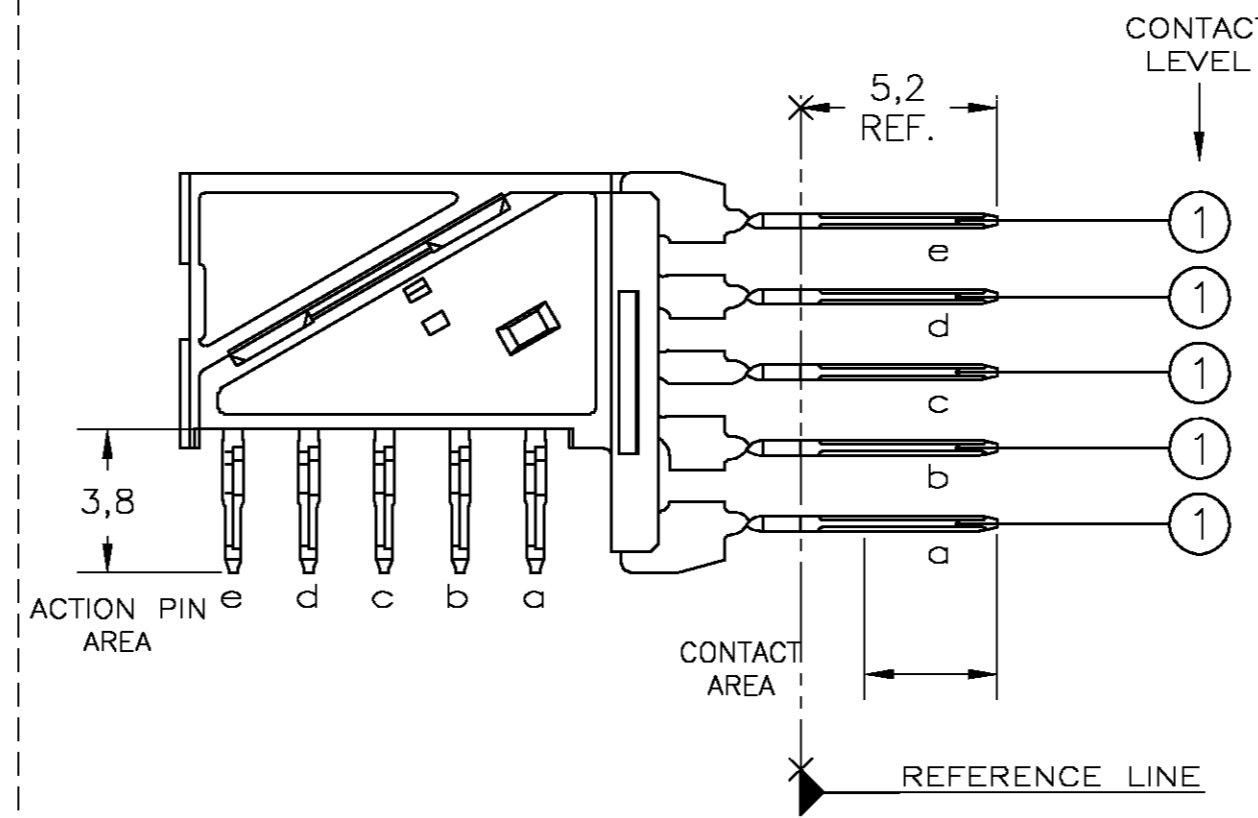


THIS DRAWING IS UNPUBLISHED. RELEASED FOR PUBLICATION
 © COPYRIGHT BY TYCO ELECTRONICS CORPORATION. ALL RIGHTS RESERVED.

CONNECTOR ASSEMBLY
 EXEMPLARY LOADED

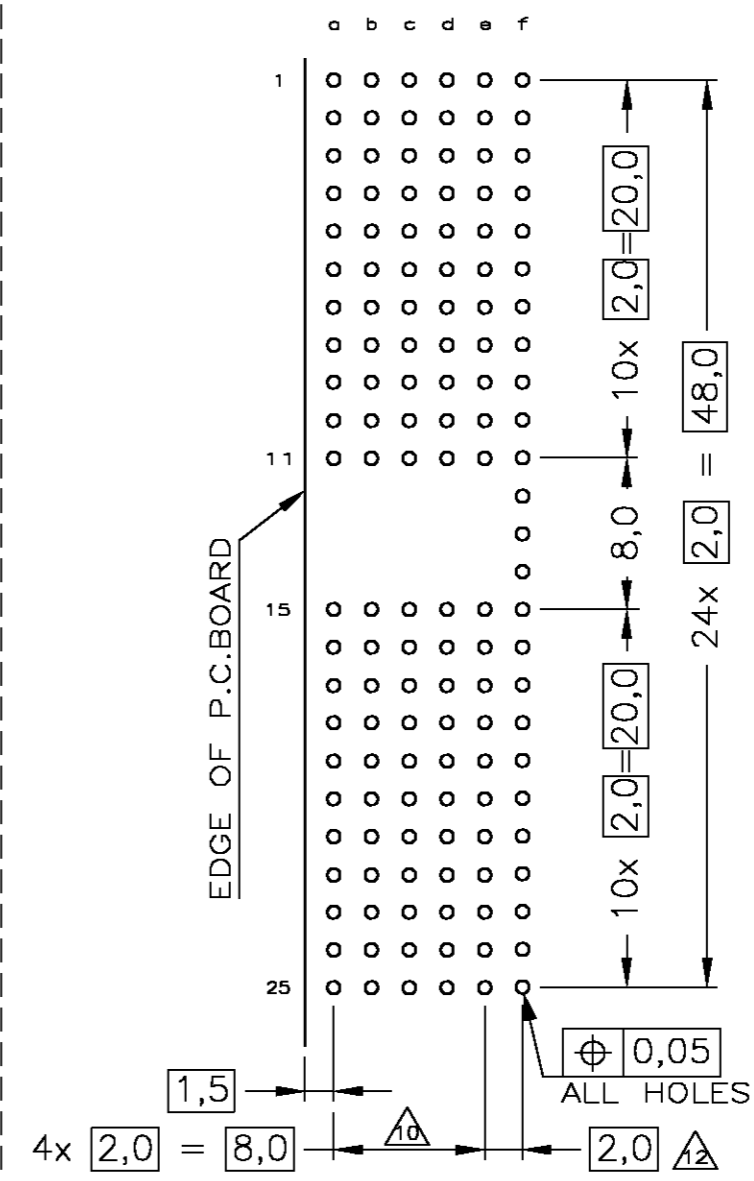


CONTACT DIMENSIONS

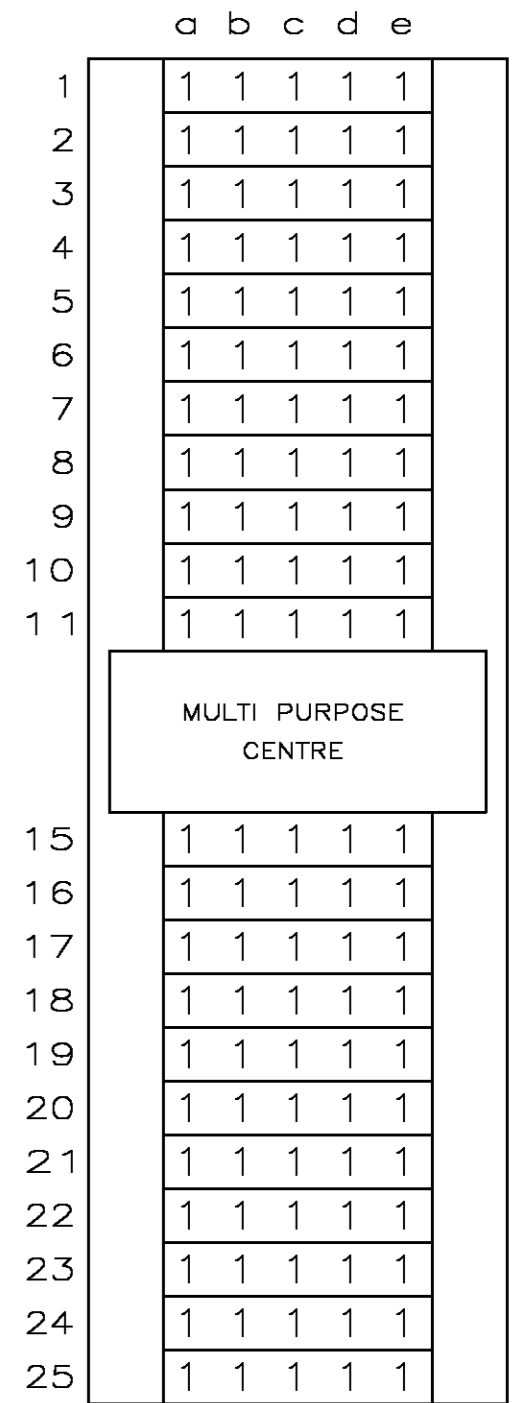


LOC	DIST	REVISIONS					
H	-	P	LTR	DESCRIPTION	DATE	DWN	APVD
		B		EH10-0680-05	30MAY05	BSV	BM

RECOMMENDED PCB-HOLE LAY-OUT
 COMPONENT SIDE SHOWN



CONTACT LAYOUT



P.C.B. HOLE DIM. ACTION PIN
 FOR DETAILS SEE
 APPLICATION SPECIFICATION

NOTES:

- 1 MATERIAL HOUSING : GREY GLASSFILLED POLYESTER
UL-RATING \emptyset
- CONTACT : PHOSPHORBRONZE
- GENERAL PLATING SPECIFICATION: UNDERPLATING (ENTIRE CONTACT): 1,27 μ m NICKEL MIN. AND ACTION PIN: 0,5 μ m TIN MIN. FOR PLATING OF MATING SURFACES SEE APPLICABLE SPECIFICATION REFERENCE FOR EACH DASH NUMBER.
- CONFORMS TO ALL TESTING ACCORDING IEC 61076-4-101 PERFORMANCE LEVEL 2.
- CONFORMS TO ALL TESTING ACCORDING IEC 61076-4-101 PERFORMANCE LEVEL 1.
- CONNECTOR TESTED AND QUALIFIED AGAINST TELCORDIA GR-1217-CORE QUALITY LEVEL III, CENTRAL OFFICE APPLICATIONS.
- CONNECTOR TESTED AND QUALIFIED AGAINST TELCORDIA GR-1217-CORE QUALITY LEVEL III, UNCONTROLLED ENVIRONMENT APPLICATIONS.
- CONNECTOR LUBRICATED WITH TELCORDIA GR-1217-CORE APPROVED LUBRICANT.
- CONNECTOR ASSEMBLY WITH LATCH HINGE FOR CABLE CONNECTOR.
- CONNECTOR MARKED WITH PARTNUMBER AND DATECODE
- PLATED-THROUGH HOLES AT 2x2mm SQUARE GRID.
- AREA FOR KEYING PART (BASIC PART NUMBER 100525).
- HOLES IN ROW f FOR POSSIBLE FUTURE USE OF GROUND RETURN SHIELDS. (NOT YET TOOLED)

Y	Δ	Δ	1-5106015-9
N	Δ	Δ	1-5106015-1 Δ
Y	Δ	Δ	5106015-9
N	Δ	Δ	5106015-4
N	Δ	Δ	5106015-1
CONSERVATION TREATMENT		CONTACT FINISH	PART NUMBER

THIS DRAWING IS A CONTROLLED DOCUMENT.		DWN K.N.KIRAN 12AUG2004	Tyco Electronics Corporation 's-Hertogenbosch,5222AR-32	
DIMENSIONS: mm		CHK B. MOOIJ 23SEP2004	NAME	
TOLERANCES UNLESS OTHERWISE SPECIFIED:		APVD B. MOOIJ 23SEP2004	PRODUCT SPEC	
0 PLC \pm -		108-19082		
1 PLC \pm -		APPLICATION SPEC		
2 PLC \pm -		114-19029		
3 PLC \pm -		SIZE		
4 PLC \pm -		CAGE CODE		
ANGLES \pm -		DRAWING NO		
FINISH		RESTRICTED TO		
MATERIAL		A2 00779 C=5106015		
WEIGHT		SCALE 5:1 SHEET 1 OF 1 REV B		
CUSTOMER DRAWING				